



Visualume

Superior design

Philips Visualume tunnel and underpass luminaire
with *Smartseal* technology

PHILIPS

Innovative solutions, sustainable performance.

Tough Design

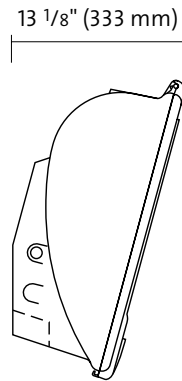
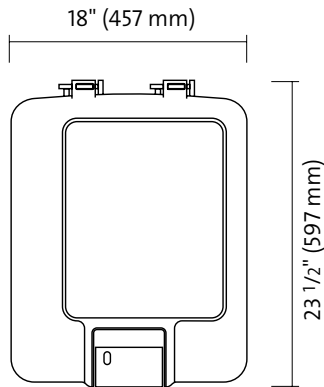
Subtle design and simple lines makes the Visualume VLM Series a good choice for tunnels, underpasses, highway entry ways and exits as well as tollbooths. Given the harsh conditions prevailing in their intended environments, luminaires in the Visualume Series have been developed for physical as well as photometric performance. The design of the Visualume reflector, coupled with the Smartseal™ (IP66) technology, makes it possible to optimize the luminaire's photometric performance and maintain it over time. The Visualume can be customized for any setting using a wide variety of options.

Built for action

The resiliency of this luminaire is legendary as its photometric performance, durability, reliability, tool free access, ease of maintenance and long life. The Visualume's curved housing can accommodate lamps and ballasts up to 400 watts providing more watts per linear foot or meter in confined areas than any other luminaire of its kind. The specially formulated Lumital™ powder coat finish of the Visualume is available in many standard colors and keeps the luminaire looking great for years to come.

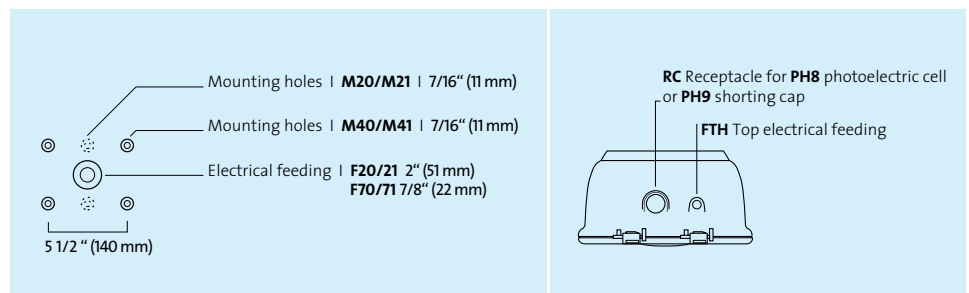


Physical characteristics



VLM

EPA: 3.5 sq. ft.
Weight: 34 lbs.



VLM

Housing mounting and feeding hole position

Lamps

HPS Lamp	Type
35 HPS, medium	ED17
50 HPS, medium	ED17
50 HPS, mogul	ED23 ½
70 HPS, medium	ED17
70 HPS, mogul	ED23 ½
100 HPS, mogul	ED23 ½
150 HPS, medium	ED17
150 HPS, mogul	ED23 ½
200 HPS, mogul	ED18
250 HPS, mogul	ED18
400 HPS, mogul	ED18

MH Lamp	Type
50 MH, medium	ED17
70 MH, medium	ED17
100 MH, medium	ED17 ED23 ½
150 MH, medium	ED17 ED23 ½

PSMH Lamp	Type
200 PSMH, mogul	ED28
250 PSMH, mogul	ED28
320 PSMH, mogul	ED28
400 PSMH, mogul	ED28

eHID Lamp	Type	CCT
60 CW	T9	2800K
90 CW	T9	2800K
140 CW	T9	2800K

Optical systems /HID

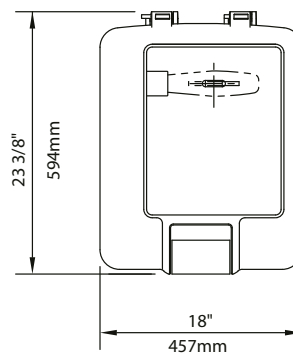
Wall Mount

- SWA Sealed optic, horizontal lamp
- SWC Sealed optic, vertical lamp, 75 degree angle
- SWD Sealed optic, vertical lamp, 55 degree angle

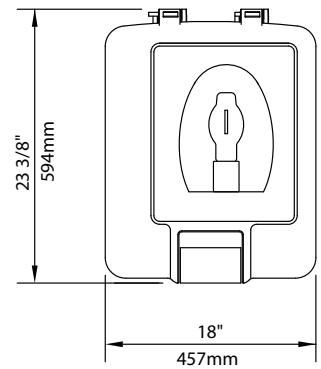
Ceiling Mount

- SYW Sealed optic, horizontal lamp
- SYL Sealed optic, vertical lamp

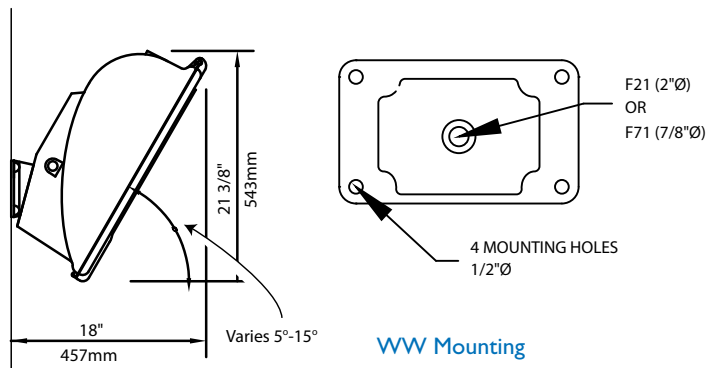
* Lamps not included. Photometry available on Philips Roadway Lighting website www.philips.com/roadwaylighting. Consult factory for additional distribution.



SWA Wall Mount

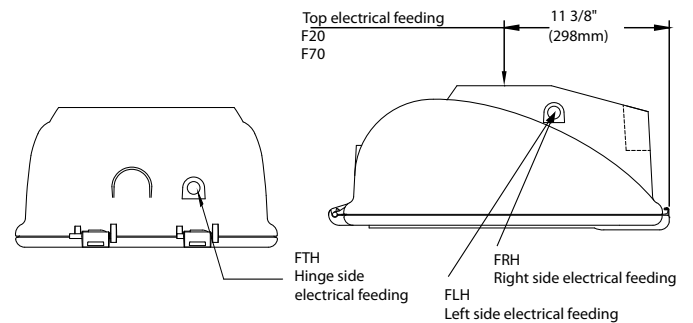


SWC/SWD Wall Mount



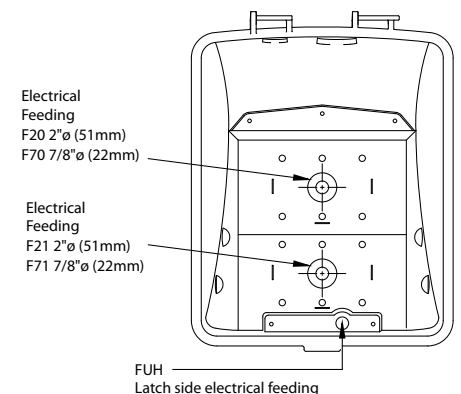
WW Mounting

Electrical feeding



Mountings

- CPA Ceiling Plate Aluminum (one anchor plate)
- CPS Ceiling Plate Stainless Steel (one anchor plate)
- QMS Quick mounting system (two anchor plates)
- WMH No mounting
- WWO 5° wall wedge (M40) 20" or (M41)
- WW2 10° wall wedge (M40) 25" or (M41)
- WW3 15° wall wedge (M40) 30" or (M41)
- YMS Yoke Mounting Support (steel support)
- YPT Yoke Post Top mounting



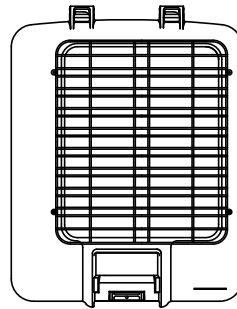
Voltage

120 / 280 / 240 / 277 / 347 / 480

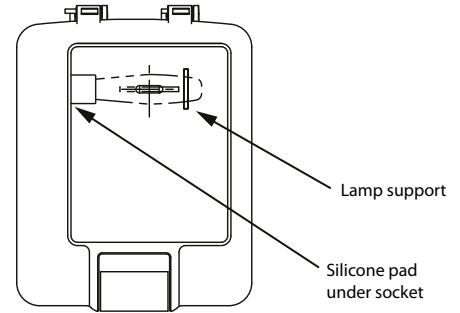
*Multi-tap ballast also available.

Luminaire options

- CHR** Corrosion-resistant coating
- CPI2** 120v cord
- CRD4** Power cord SOOW 16-3 (4', 6', 8', and 10' lg cord out of luminaire)
- HDB** Heavy duty block connector
- HRS** Hot restrike ignitor
- M20** Mounting with 2 holes (7/16" Ø) at 0°
- M21** Mounting with 2 holes (7/16" Ø) at 15°
- M40** Mounting with 4 holes (7/16" Ø) at 0°
- M41** Mounting with 4 holes (7/16" Ø) at 15°
- PCG** Polycarbonate lens guard
- PH8** Photoelectric cell
- PH9** Shorting cap
- RC** Receptacle for PH8 and PH9
- SQD** Starter with quick disconnect
- STB** Anti-vibration kit
- STP** Protective starter
- VPH** Vandal proof latch
- WGV** Lens wire guard



WGV



STB

Finishes

The specially formulated Lumital powder coat finish is available in white, grey, black and bare. Additional colors are available. Consult factory for complete specifications.

Maintenance



Access to lamp

The sealed quarter-turn shutter mechanism provides easy access to the lamp.



Access to ballast

Once unlatched, the power tray rotates out of the housing. The power tray remains in the housing even when turned. The power tray can be removed for servicing or replacement.



Easy-to-remove door assembly

For ease of servicing, the door assembly can be removed easily, without tools. Two C-hinges, integrated to the door, slide and rotate along the housing's built-in hinge-supports.



©2010 Philips Roadway Lighting
All rights reserved.

Document order number: VLM100R01

Philips Roadway Lighting
10275 W. Higgins Road
Rosemont IL 60018
Tel: 847-390-5111 Fax: 847-332-0305
Customer Support/Technical Service: 847-390-5111
www.philips.com/roadwaylighting
A Division of Genlyte Thomas Group LLC