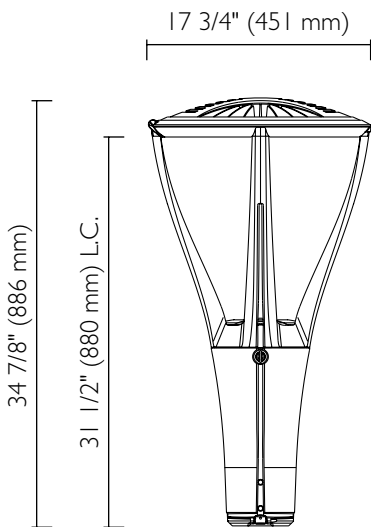


# UrbanScape

## Data Sheet



### MPTC

Conform to the UL 1598 and CSA C22.2 No. 250.0-08 standards  
 Suitable for operation in an ambient temperature up to 40°C / 104°F - UL certified  
 (Runs cool in almost every climate).  
 The MetroScape meets the ANSI C136.31-2001 table 2, American National Standard for  
 Roadway Luminaire Vibration specifications for Bridge/overpass applications. (Tested for 3G  
 over 100 000 cycles by an independent lab)

**EPA:**  
 1.7 sq ft

**Weight:**  
 32.2 lbs (14.6 kg)

UrbanScape is approved by:



## LED Lamp Details

Lamps #	Rated life hrs. <sup>1</sup>	LED Model	CRI	Color Temperature <sup>2</sup>	Initial Lumens	Wattage		Max System AC current: 120v	LED mA	HPS equivalent <sup>4</sup>
						Lamp	System <sup>3</sup>			
35W32LED4KES	100,000	Philips Lumileds Rebel ES	70	4000K	3872	35W	40	0.36A	350mA	70W
42W32LED4KES	100,000		70	4000K	4576	42W	45	0.42A	400mA	100W
55W32LED4KES	100,000		70	4000K	5632	55W	60	0.54A	530mA	100W
55W48LED4KES	100,000		70	4000K	5808	55W	60	0.54A	350mA	100W
65W48LED4KES	100,000		70	4000K	6864	65W	72	0.63A	400mA	100W
80W48LED4KES	100,000		70	4000K	8448	80W	88	0.82A	530mA	150W
70W64LED4KES	100,000		70	4000K	7744	70W	77	0.72A	350mA	100W
85W64LED4KES	100,000		70	4000K	9152	80W	94	0.84A	400mA	150W
110W64LED4KES	100,000		70	4000K	11264	110W	120	1.9A	530mA	200W
90W80LED4KES	100,000		70	4000K	9680	90W	100	0.90A	350mA	150W
105W80LED4KES	100,000		70	4000K	11440	110W	115	1.05A	400mA	200W
135W80LED4KES	100,000		70	4000K	14080	135W	150	1.36A	530mA	250W

<sup>1</sup> Rated life represents the time it takes for the LED system to reach 70% of initial lumen output (as described in LM-80). Calculated with an ambient temperature of 25°C / 77°F

<sup>2</sup> On average.

<sup>3</sup> System wattage includes the lamp and the LED driver.

<sup>4</sup> Compared to the Philips Lumec Ancestra with SHA3M optic.

**How to calculate the system lumen per watt ratio (LER):** First, visit our website at [www.lumec.com](http://www.lumec.com) and download the IES file (photometric file) of your selected Philips Lumec product. Then, use a photometric software to get the absolute system lumens value and divide by the system wattage. (Example: 35W32LED4KES : Absolute system lumens / 42W = LER)

## Optical System



LEDGINE

Composed of high performance acrylic refractors lenses to achieve desired distribution, optimized to get maximum spacing, target lumen and a perfect lighting uniformity. Performance shall be tested per LM63 and LM79 and TM15 (IESNA) certifying its photometric performance.

\* Photometry available on Philips Lumec web site [www.lumec.com](http://www.lumec.com)

- LE2: Asymmetrical
- LE3: Asymmetrical
- LE4: Asymmetrical
- LE5: Symmetrical (square)
- 
- 

## Voltages

120 / 208 / 240 / 277 / 347<sup>1,2</sup> / 480<sup>1,2</sup>

<sup>1</sup> Stepdown transformer required with Dynadimmer

<sup>2</sup> Stepdown transformer required with driver options listed below

# Luminaire Options

## PH8

Photoelectric cell  
Complete with a decorative cap  
Allows a 90° rotation

## RC

Receptacle for  
photoelectric cell

## TN3

Fitter to fit over a 3" (76 mm) O.D.  
by 4" (102 mm) long tenon

## TN3.5

Fitter to fit over a 3 1/2" (89 mm) O.D.  
by 4" (102 mm) long tenon

## Smart luminaire options

UrbanScape allows you many options in order to get different smart functionalities.

- DMG** → Driver is compatible with dimmer from 0 to 10 volts.
- CDMG** → Dynadimmer standard dimming functionalities including pre-programmed scenarios to suit many applications and needs from safety to maximum energy savings.
- CDMGP** → Dynadimmer custom dimming scenario allowing the user to program up to 5 time periods and multiple dimming levels from 100% to 10% of total wattage.
- OVR** → Dynadimmer override function offering the possibility to go back to full power at any time via an electrical signal of 120VAC to 277VAC from a motion sensor, a switch, a relay or else.
- CLO** → Pre-set driver to manage the lumen depreciation by adjusting the power given to the LEDs offering the same lighting intensity during the entire lifespan of the lamp.
- AST** → Pre-set driver for progressive start-up of the lamp to optimize energy management and enhance user visual comfort at start-up.
- OTL** → Pre-set driver to signal end of life of the lamp for better fixture management.
- DALI** → Pre-set driver compatible with the DALI control system.

## Smart system options

Different options are available according to your needs. Please contact us for more information.

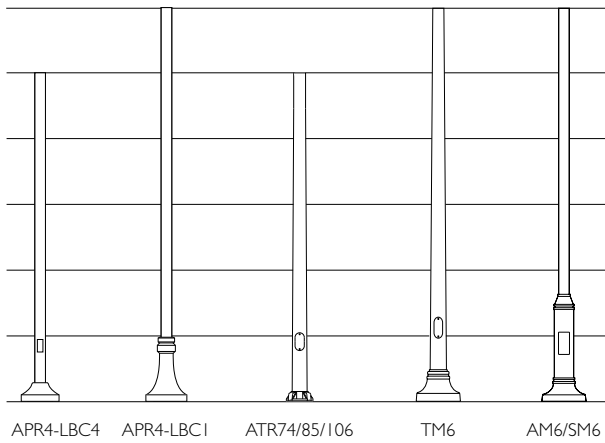
## Smart city options

- AMPLIGHT** → Amplight is the intelligent monitoring and control, automated management system that delivers up to 35% streetlight energy savings and makes it easy to monitor and manage the entire system, in real time. Please contact us for more information.

*Other options are also available according to your needs. Please contact us for more information.*

# Poles

Consult the Philips Lumec Pole Guide for details and the complete line of poles.



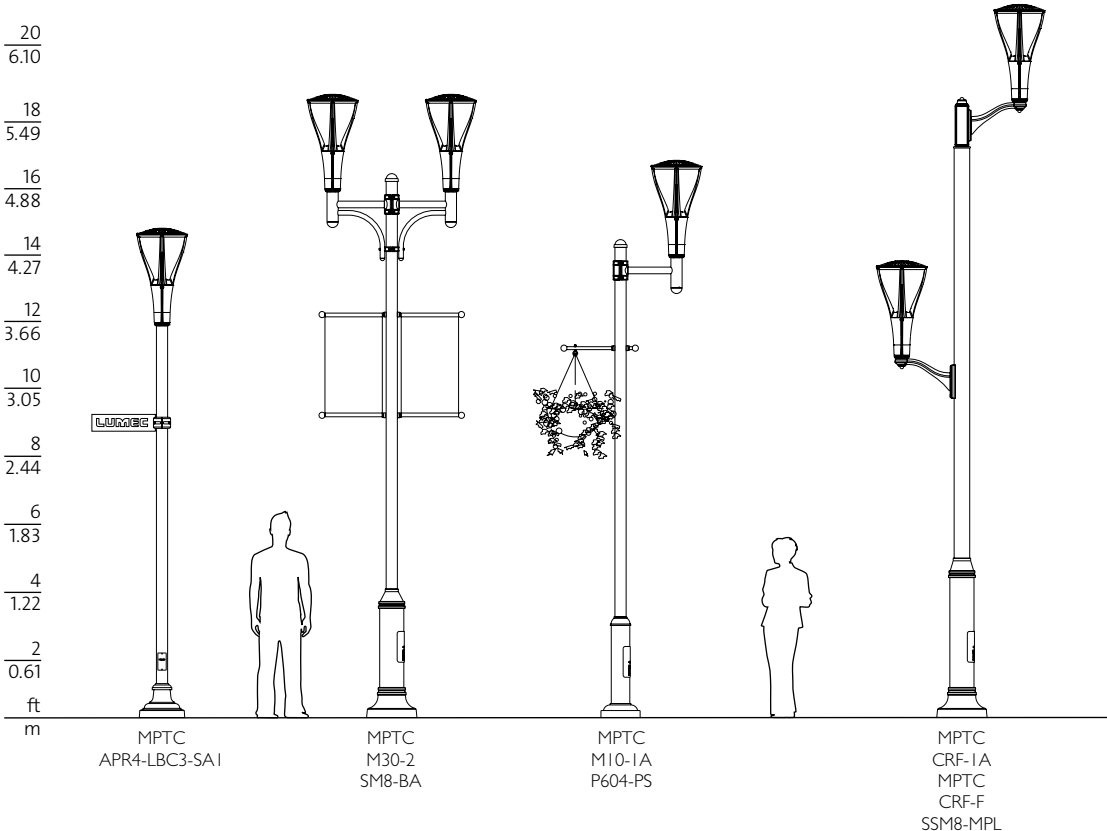
# Finish

- GR** Gray Sandtex
- WHTX** Textured White
- BKTX** Textured Black
- GY3TX** Textured Medium Grey
- BRTX** Textured Bronze
- BG2TX** Textured Sandstone
- BE2TX** Textured Midnight Blue
- BE6TX** Textured Ocean Blue
- BE8TX** Textured Royal Blue
- GNTX** Textured Green
- GN4TX** Textured Blue Green
- GN6TX** Textured Forest Green
- GN8TX** Textured Dark Forest Green
- RD2TX** Textured Burgundy
- RD4TX** Textured Scarlet
- TS** Hammertone Silver
- TG** Hammertone Gold
- NP** Natural Aluminum

# Ordering Example

Luminaire	Lamp	Optical System	Voltage	Driver Options	Luminaire Options	Pole	Finish
MPTC	42W32LED4KES	LE3	I20	DMG	PH8	APR4-LBC4-I6	GR

# Assembly examples



**www.lumec.com**

<b>PHILIPS LUMEC HEAD OFFICE</b>	:	<b>ONTARIO OFFICE</b>	:	<b>MEXICO OFFICE</b>
640, Curé-Boivin Boulevard	:	189 Bullock Drive	:	Zempoala #217
Boisbriand, Québec	:	Markham, Ontario	:	Col. Anenor Sales (Narvarte)
Canada J7G 2A7	:	Canada L3P 1W4	:	Mexico, D.F. 03010
<b>T</b> : 450.430.7040	:	<b>T</b> : 416.223.7255	:	<b>T</b> : (5255) 5564.5242
<b>F</b> : 450.430.1453	:	<b>F</b> : 866.971.2825	:	<b>F</b> : 450.971.2816

For the details of our different agents and representatives, please consult the **Contact us** section of our Website.

© 2011 Philips Group.

All rights reserved. We reserve the right to change details of design, materials and finishes.

.....

**PHILIPS**  
**LUMEC**