



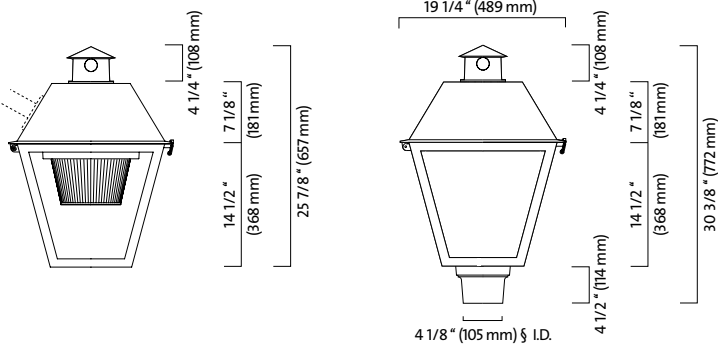
# L40U SEALED LANTERN SERIES

Product Overview and Technical information >>



# LUMINAIRES

Conform to the **UL 1598** and **CSA C22.2250.0-08** standards



## L40U-STM-RACE optic

sq. ft  
Weight: lbs (kg)

## L40U-SFR-MS2 optic

EPA: 2.80sq. ft  
Weight: 50 lbs (22.7 kg)

# LAMPS / LED

LED = Philips Lumileds Luxeon R, CRI = 70, CCT = 4000K (+/- 350K)  
System (LED + driver) Rated life = 100,000 hrs<sup>1</sup>

## LED light engine technical information for L40U

LAMP	TYPICAL DELIVERED LUMENS	TYPICAL SYSTEM WATTAGE <sup>2</sup> (W)	TYPICAL CURRENT @ 120 V (A)	TYPICAL CURRENT @ 208 V (A)	TYPICAL CURRENT @ 240 V (A)	TYPICAL CURRENT @ 277 V (A)	LED CURRENT (mA)	HID EQUIVALENT <sup>3</sup>	LUMINAIRE EFFICACY RATING (LM/W)	BUG RATING
35W32LED4K-R-LE2	2670	35	0.29	0.17	0.16	0.15	350	70 - 100	76.3	B1-U3-G1
35W32LED4K-R-LE3	2620	35	0.29	0.17	0.16	0.15	350	70 - 100	74.9	B1-U3-G1
35W32LED4K-R-LE4	2620	35	0.29	0.17	0.16	0.15	350	70 - 100	74.9	B1-U3-G1
35W32LED4K-R-LE5	2620	35	0.29	0.17	0.16	0.15	350	70 - 100	74.9	B2-U3-G1
55W32LED4K-R-LE2	3700	52	0.40	0.23	0.21	0.19	530	100 - 150	71.2	B1-U3-G1
55W32LED4K-R-LE3	3680	52	0.40	0.23	0.21	0.19	530	100 - 150	70.8	B1-U3-G1
55W32LED4K-R-LE4	3740	52	0.40	0.23	0.21	0.19	530	100 - 150	71.9	B1-U3-G1
55W32LED4K-R-LE5	3680	52	0.40	0.23	0.21	0.19	530	100 - 150	70.8	B2-U3-G1
55W48LED4K-R-LE2	3738	55	0.38	0.22	0.23	0.21	350	100 - 150	68.0	B1-U3-G1
55W48LED4K-R-LE3	3718	55	0.38	0.22	0.23	0.21	350	100 - 150	67.6	B1-U3-G1
55W48LED4K-R-LE4	3770	55	0.38	0.22	0.23	0.21	350	100 - 150	68.5	B1-U3-G1
55W48LED4K-R-LE5	3770	55	0.38	0.22	0.23	0.21	350	100 - 150	68.5	B2-U3-G1
80W48LED4K-R-LE2	5510	79	0.63	0.36	0.34	0.31	530	150 - 175	69.7	B2-U3-G2
80W48LED4K-R-LE3	5480	79	0.63	0.36	0.34	0.31	530	150 - 175	69.4	B2-U3-G2
80W48LED4K-R-LE4	5300	79	0.63	0.36	0.34	0.31	530	150 - 175	67.1	B2-U3-G2
80W48LED4K-R-LE5	5300	79	0.63	0.36	0.34	0.31	530	150 - 175	67.1	B3-U3-G2

<sup>1</sup> L70 = 100,000 HRS (AT AMBIENT TEMPERATURE = 25°C AND FORWARD CURRENT = 700 MA)

<sup>2</sup> SYSTEM WATTAGE INCLUDES THE LAMP AND THE LED DRIVER.

<sup>3</sup> EQUIVALENCE SHOULD ALWAYS BE CONFIRMED BY A PHOTOMETRIC LAYOUT.

NOTE : DUE TO RAPID AND CONTINUOUS ADVANCES IN LED TECHNOLOGY, LED LUMINAIRE DATA IS SUBJECT TO CHANGE WITHOUT NOTICE AND AT THE DISCRETION OF PHILIPS.

# VOLTAGE

120 / 208 / 240 / 277

# OPTICAL SYSTEMS / LED



## Globe

IP66 rated optical system, composed of individual pre-oriented lens to achieve desired distribution, assembled with the globe permanently sealed onto the lower part of the heat sink.

- LE2: Asymmetrical
- LE3: Asymmetrical
- LE4: Asymmetrical
- LE5: Symmetrical (square)

> House shield available in option (HS)

\* Photometry available on Philips Lumec web site [www.philips.com/lumec](http://www.philips.com/lumec).

# LAMPS / HID

WATTAGE	RACE	MS
70 MH, medium	✓	✓
100 MH, medium	✓	✓
150 MH, medium	✓	✓
175 MH, mogul	✓	✓
35 HPS, medium	✓	✓
50 HPS, mogul	✓	✓
70 HPS, mogul	✓	✓
100 HPS, mogul	✓	✓
150 HPS, mogul	✓	✓

✓ : Available

# VOLTAGE

120 / 208 / 240 / 277 / 347 / 480

<sup>1</sup> Multi-top ballast also available.

# OPTICAL SYSTEMS / HID

(Lamps not included)



## RACE Optics

Sealed round acrylic (max. 100w) or borosilicate (150w and more) refractor with segmented upright recovery dome permanently assembled on top of a one piece polycarbonate globe.

**RACE5:** Symmetrical  
**RACE3:** Asymmetrical  
**RACE3D:** Asymmetrical with deflector



## MS Optics

Sealed optical chamber consisting of a reflector permanently assembled on top of a one piece polycarbonate globe.

**MS2:** Asymmetrical cut-off  
**MS3:** Asymmetrical cut-off

\* Photometry available on Philips Lumec web site [www.lumec.com](http://www.lumec.com)

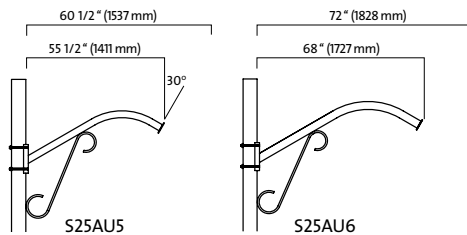
# LUMINAIRE OPTIONS

**HS** House shield (consult factory)

**CHM** Glass chimney (only available with MS optic)

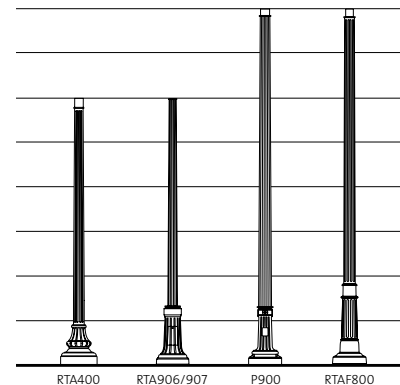
# MOUNTINGS

(Consult the Pole Guide for details and the complete line of mountings)



# POLES AND POLE OPTIONS

(Consult the Pole Guide for details and the complete line of poles)



# FINISHES

(Consult Philips Lumec's Color Chart for complete specifications)

The specially formulated Lumital powder coat finish is available in a range of many standard colors.

# ORDERING SAMPLE

LUMINAIRE	LAMP	OPTICAL SYSTEM	VOLTAGE	OPTIONS	MOUNTING & CONFIGURATION	POLE	FINISH
L40U	150 HPS	MS2	120	CHM	SF1	RTA400-14	BKTX

# MAINTENANCE



## ACCESS TO INTERNAL COMPONENT

The luminaire's hood can be opened by simply opening the latch. The hood can then be pivoted along a hinge incorporated in the technical ring. A built-in stopper holds the cover at 90° from the technical ring.



## ACCESS TO LAMP

A simple quarter-turn of the Smartseal shutter provides easy access to the lamp. Quick-disconnect terminals between the lamp and the ballast tray ensure safe and easy lamp replacement.



## PHOTOELECTRIC CELL FINIAL



© 2014 Koninklijke Philips N.V. All rights reserved.  
Specifications are subject to change without notice.  
[www.philips.com/luminaires](http://www.philips.com/luminaires)

Philips Lighting Company  
200 Franklin Square Drive  
Somerset, NJ 08873  
Phone: 855-486-2216

Philips Lighting Company  
281 Hillmount Road  
Markham ON, Canada L6C 2S3  
Phone: 800-668-9008